



Triad® InCeiling Silver/6 Monitor



For primary room stereo or high end home theater, Triad introduces the InCeiling Silver/6 Monitor to compliment the InRoom Silver Monitor and the two InWall Silver Monitors.

Where the best sound is desired and there is no wall space and speakers cannot intrude on stands, the InCeiling Silver/6 Monitor is the ideal solution. An angled baffle directs the front channel sound to the listener through an elegant flush Acoustimesh grill that can be ordered custom paint matched to your décor.

Finally, ceiling speakers can be used without compromising sound quality. The InCeiling Silver/6 Monitor is the new benchmark in ceiling speakers.

Triad® InCeiling Silver/6 Monitor

Dimensions

Cabinet

Width 10 3/4" (27.3 cm)

Height 19" (48.3 cm)

Depth 5 15/16" (15 cm)

Hole cut out W-11", H-19 1/4"

Miscellaneous

InWall frame/grill W-12 1/16", H-20 3/8"/ D-0"

New construction bracket (NCB) size C

Shipping weight 26 lbs. each (11.8 kg)

Actual weight 21.35 lbs. each (9.7 kg)

Product Features

Drive Units

(1) 1" (27 mm) Proprietary Seas high resolution fabric dome tweeter

(2) 5 1/2" (15 cm) Proprietary cone Scan-Speak woofer

Power Handling

Maximum power rating 200 watts

Impedance

Nominal impedance 4 ohms

Minimum impedance 3.2 ohms

Sensitivity

91 dB (2.83v, 1m)

Frequency Response (2pi)

75 Hz - 20 kHz (+0/-3dB)

-3dB @ 75 Hz.

Enclosure

Designed for use in 2x6 walls or ceilings

Fully braced & sealed enclosure

Flush Acoustimesh™ metal grill

Available without grill & frame for custom use

Finishes

Available in various paint & custom matched finishes

 **Triad Speakers Incorporated**
15835 NE Cameron Blvd.
Portland, Oregon 97230

503.256.2600 Voice

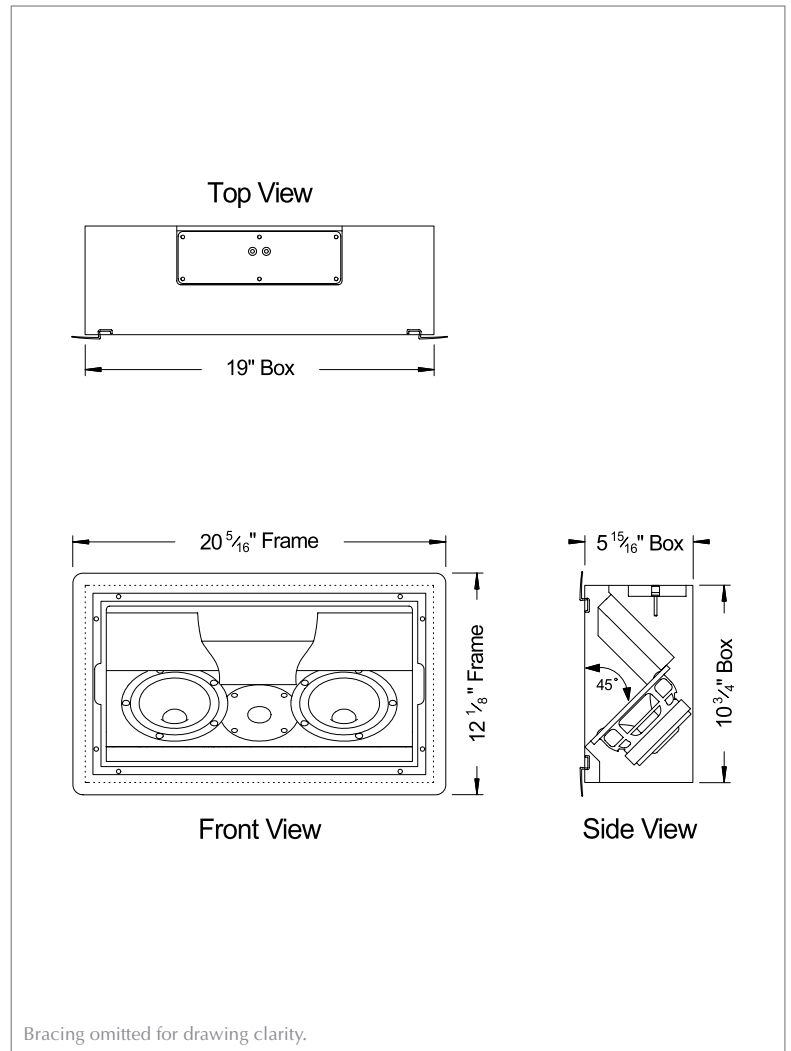
503.256.5966 Fax

www.TriadSpeakers.com

Unique Solutions...Custom Made Daily



Dimensional Data



Vertical Dispersion Pattern

