

Triad InCeiling Bronze/10 Sub



The workhorse of Triad's custom subwoofer line has been dramatically improved. In an otherwise all-new subwoofer lineup, we have maintained the same excellent long-throw 10" driver and enclosure, but switched to the new RackAmp 350 DSP which delivers more power than its predecessor.

The new DSP amplifier provides simple "plug-and-play," and EZ set-up. You can have great performance right out of the box in nearly any room.

The G-size grill is the same as many other Triad InCeiling speakers, allowing for a clean, consistent look. And we build all Triad speakers to order, and offer custom paint matching to the paint sample or paint number that you supply.

TRIAD
Unique**Solutions**Triad™

Product Features

Cabinet

Width 13-1/2" (34.3 cm)
Height 13-1/2" (34.3 cm)
Depth 9" (22.8 cm)

Miscellaneous

Hole Cut Out (w x h) 13-3/4" x 13-3/4"
W Frame (w x h x d) 14-7/8" x 14-7/8" x 0"
New Construct Bracket (NCB) size G
Shipping weight 30 lbs. (13.6 kg)
Actual product weight 26 lbs. (11.8 kg)

Drive Units

(1) 10" Coated paper cone woofer

Amplifier

RackAmp 350 watts
Brand new DSP BASH technology
EnergyStar compliant & energy efficient
Five user selectable Preset Modes: Flat, Cinema, Music, Party, & Night
Intuitive Menus
Slope adjustments for all filters (6-36 dB/Octave)
Changes are dynamic (hear them in real time)
(call Triad for details)

Anechoic Frequency Response

30 Hz - 200 Hz (+/- 2 dB)
F3 (-3dB) = 20 Hz

Enclosure

Fully braced and sealed MDF enclosure.
Flush Acoustimesh™ metal grill fits flat against the wall.
Designed to be used in stud walls, false walls or custom cabinets with or without using the Acoustimesh™ metal grill.

Finishes

Grill and frame available in various paint & custom matched finishes.

Triad Speakers Incorporated

15835 NE Cameron Blvd.
Portland, Oregon 97230

503.256.2600 Voice
503.256.5966 Fax
www.TriadSpeakers.com

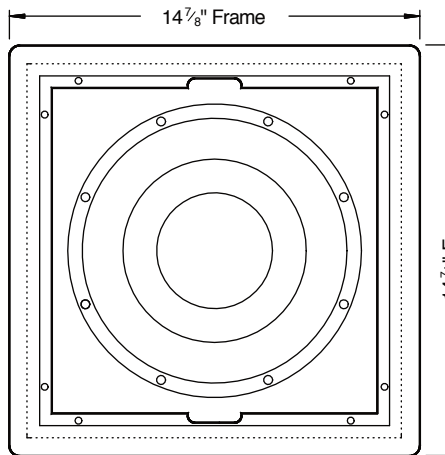
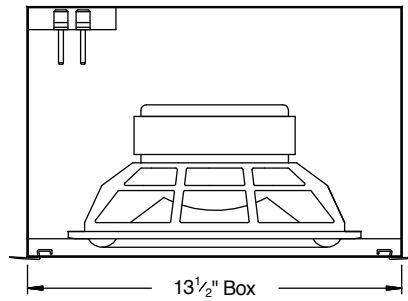
Unique Solutions...Custom Made Daily™

InCeiling Bronze/10 Sub

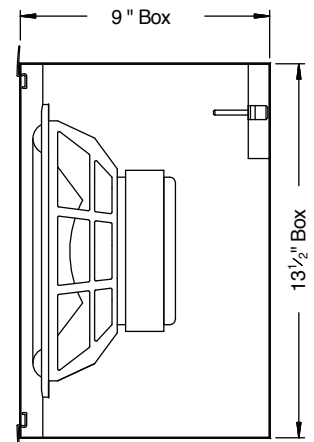
Product Dimensional Data

Bracing omitted for drawing clarity

Top View



Front View



Side View

Try these additional **Bronze DSP** Solutions.....



InRoom

InWall/4

InWall/6

InCeiling/10

