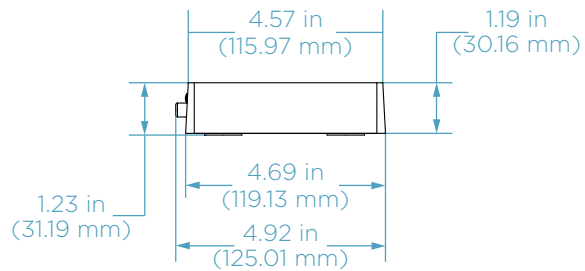


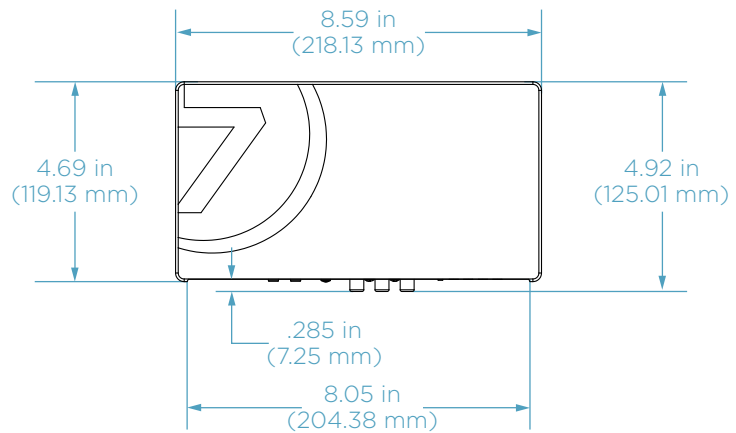


Control4® HC-250 Controller

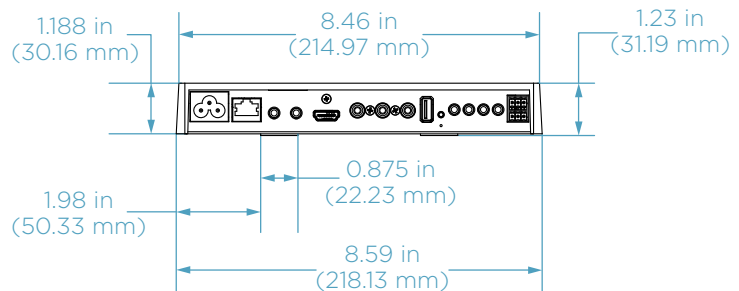
Side View



Top View



Back View



All Tolerances are : ± 0.01 in (± 0.25 mm)

Control4™