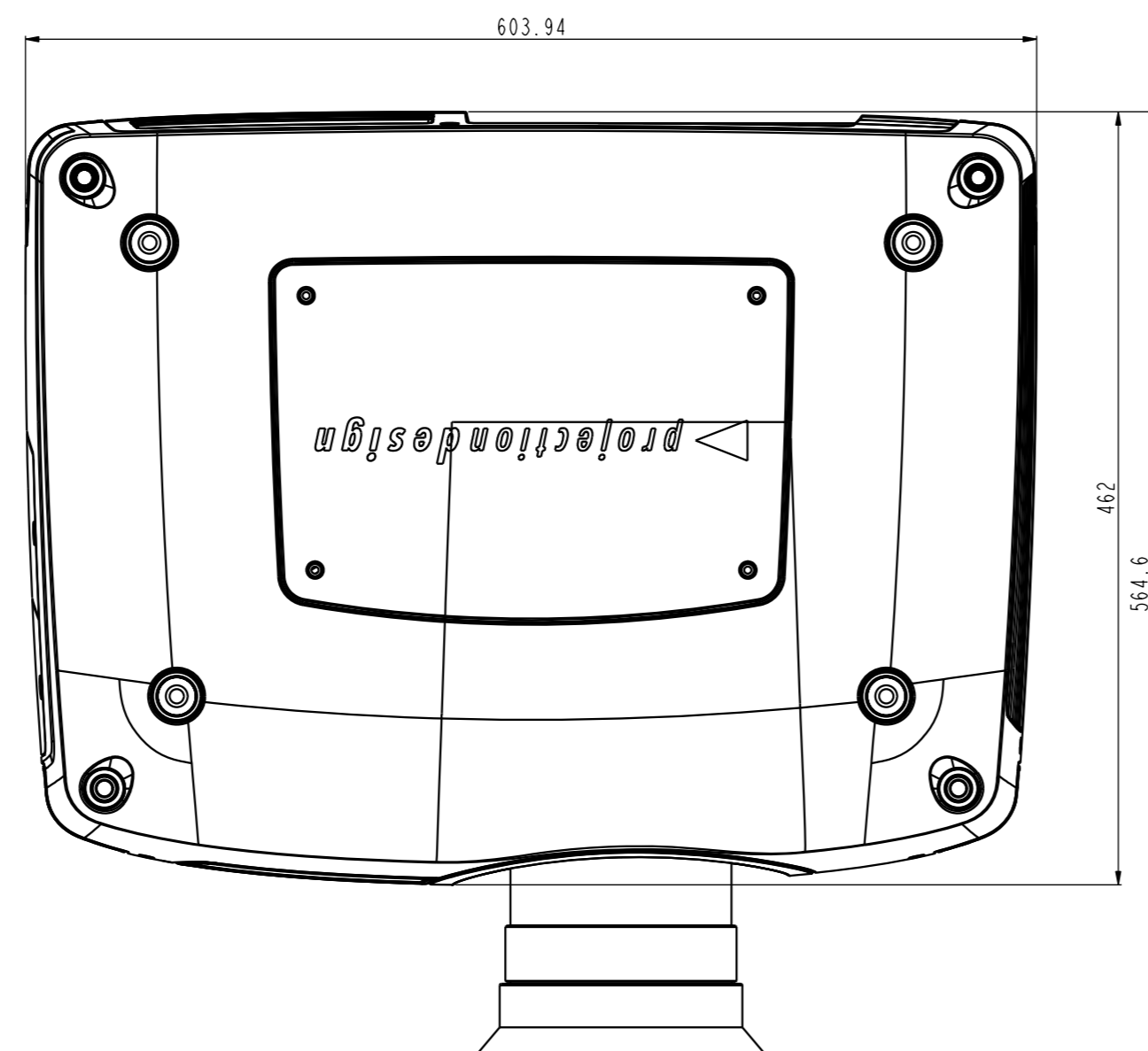
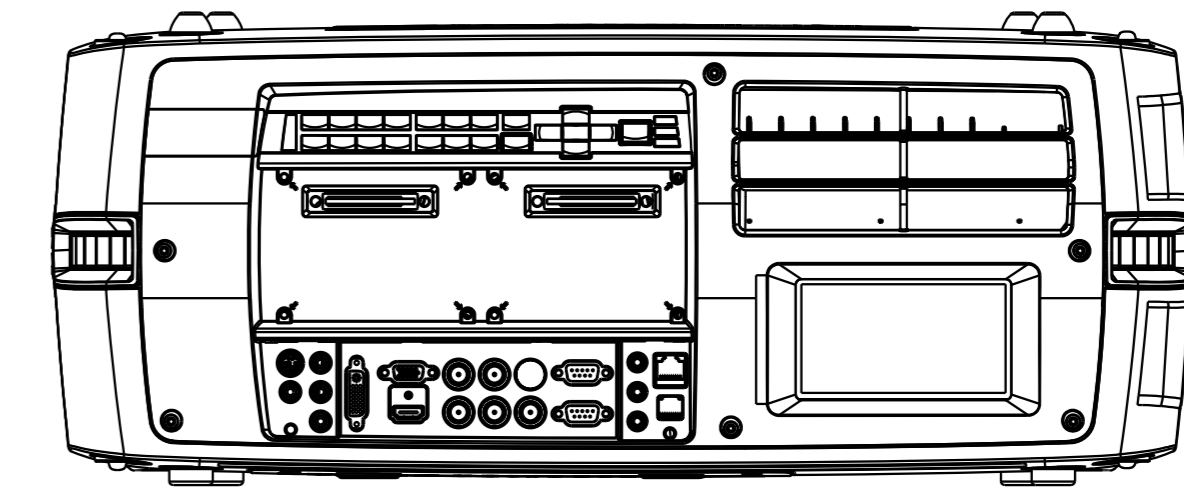
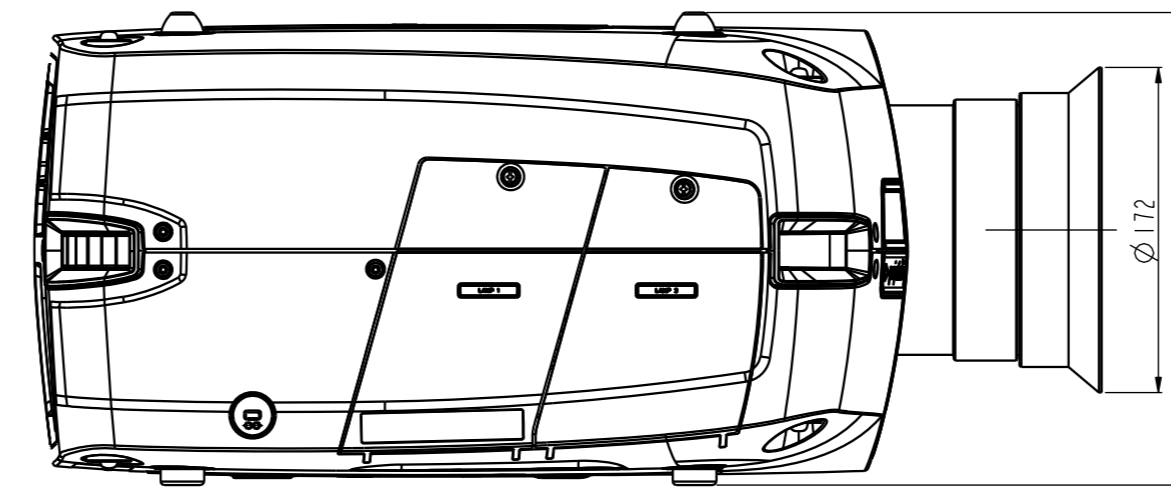
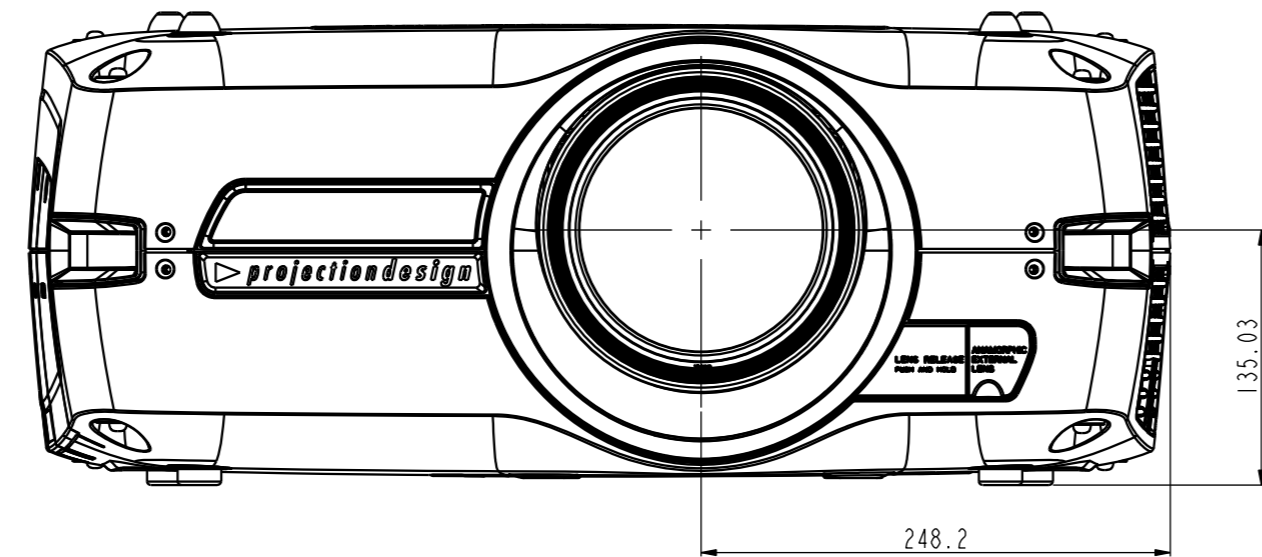
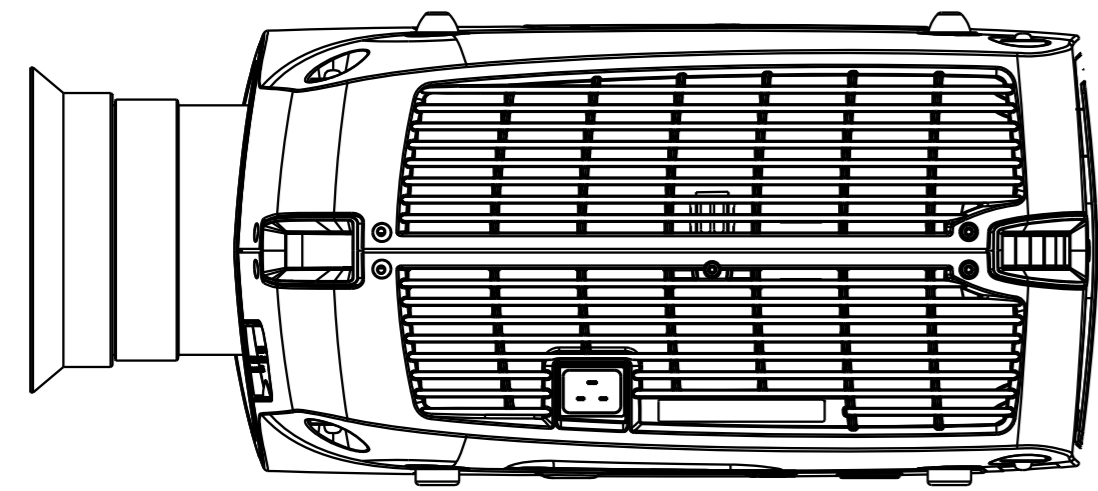
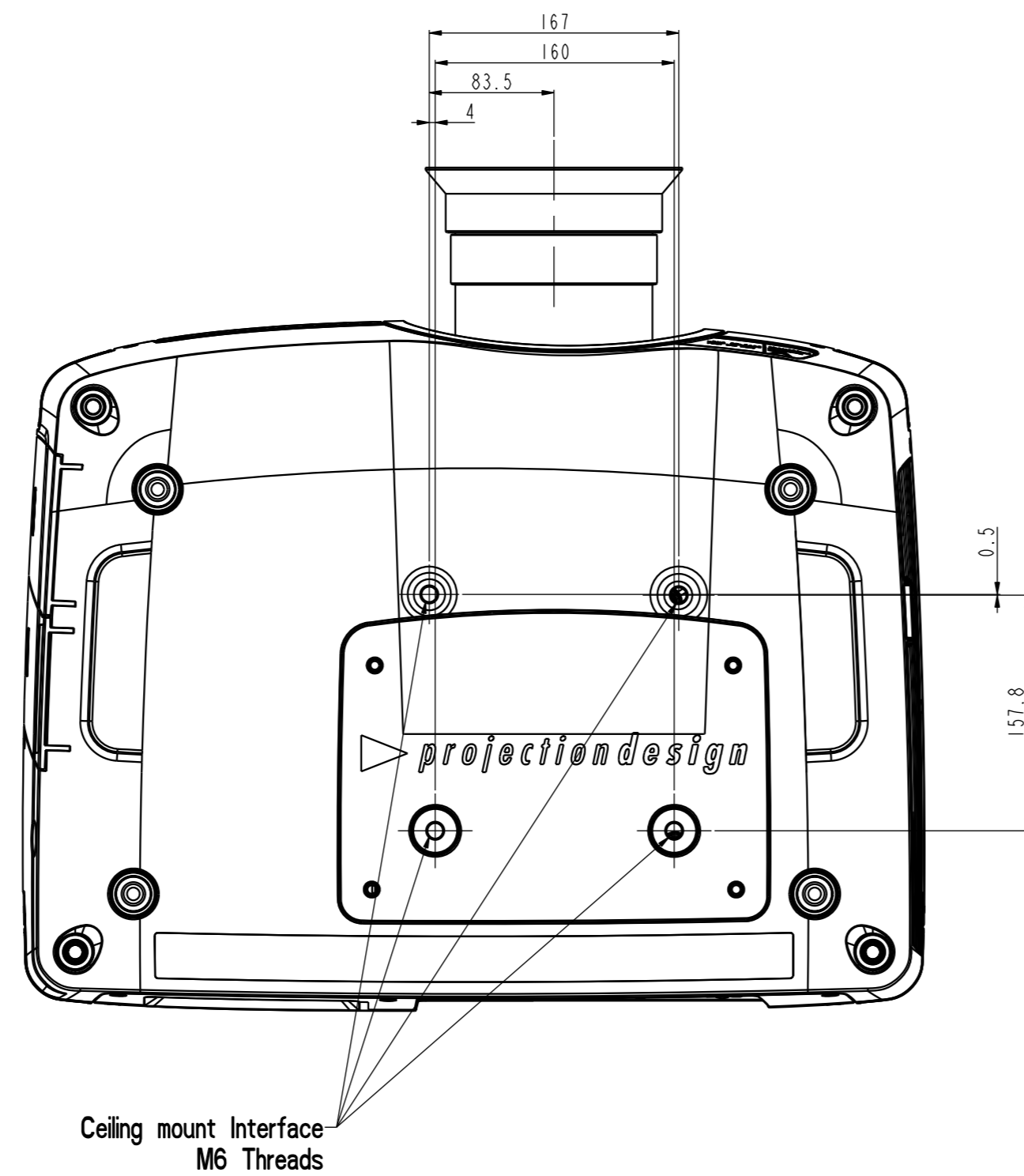


REV	AFFECTED DIMENSIONS	DESCRIPTION	CHK'D BY	DATE
1.0				

PRELIMINARY



DESIGNATION	UP TO 10	UP TO 30	UP TO 100	UP TO 300	UP TO 1000	UP TO 3000
Linear	±0.05	±0.05	±0.1	±0.15	±0.2	±0.3
Form	±0.1	±0.1	±0.2	±0.3	±0.4	±0.5
Form	±0.1	±0.1	±0.2	±0.3	±0.4	±0.5
Form	±0.1	±0.1	±0.2	±0.3	±0.4	±0.5

<p>projectiondesign Hobroveien 53, N-1630, GmL, Fredrikstad, Norway mailto:info@projectiondesign.com, www.projectiondesign.com</p>		CONFIDENTIAL	
Notice on Reduction of Harmful Substances (RoHS) To confirm with EU directive 2002/95/EC, the following materials and their compounds shall not be used in the product(s) specified herein: Lead, Mercury, Cadmium, Hexavalent Chromium, Polybrominated Diphenyl Ether (PBDEs), Polybrominated Diphenyl Aminoethers (PBDEAs), Polybrominated Diphenyl Ethers (PBDEs), Polybrominated Diphenyl Ethers (PBDEs), Polybrominated Diphenyl Ethers (PBDEs), Polybrominated Diphenyl Ethers (PBDEs).			
DESIGNER PROJ. EUROPE		DATE 20-Jan-09	
TOLERANCE CLASS MEDIUM		ENGINEERING SH	
PRODUCTION RB		DATE 	
MATERIAL		PART NAME GP4 Linedrawing EN22	
APPROVED		DATE	
<p>© EKER DESIGN AS Torshovgt. 27, N-1614, Fredrikstad, Norway Tlf: +47 63 63 48 90, Fax: +47 63 63 48 91</p>		SIZE A1	
All rights reserved. Reproduction in whole or in part is prohibited without the written consent of the copyright owner.		SCALE 1:1	
		SHEET 1 / 1	