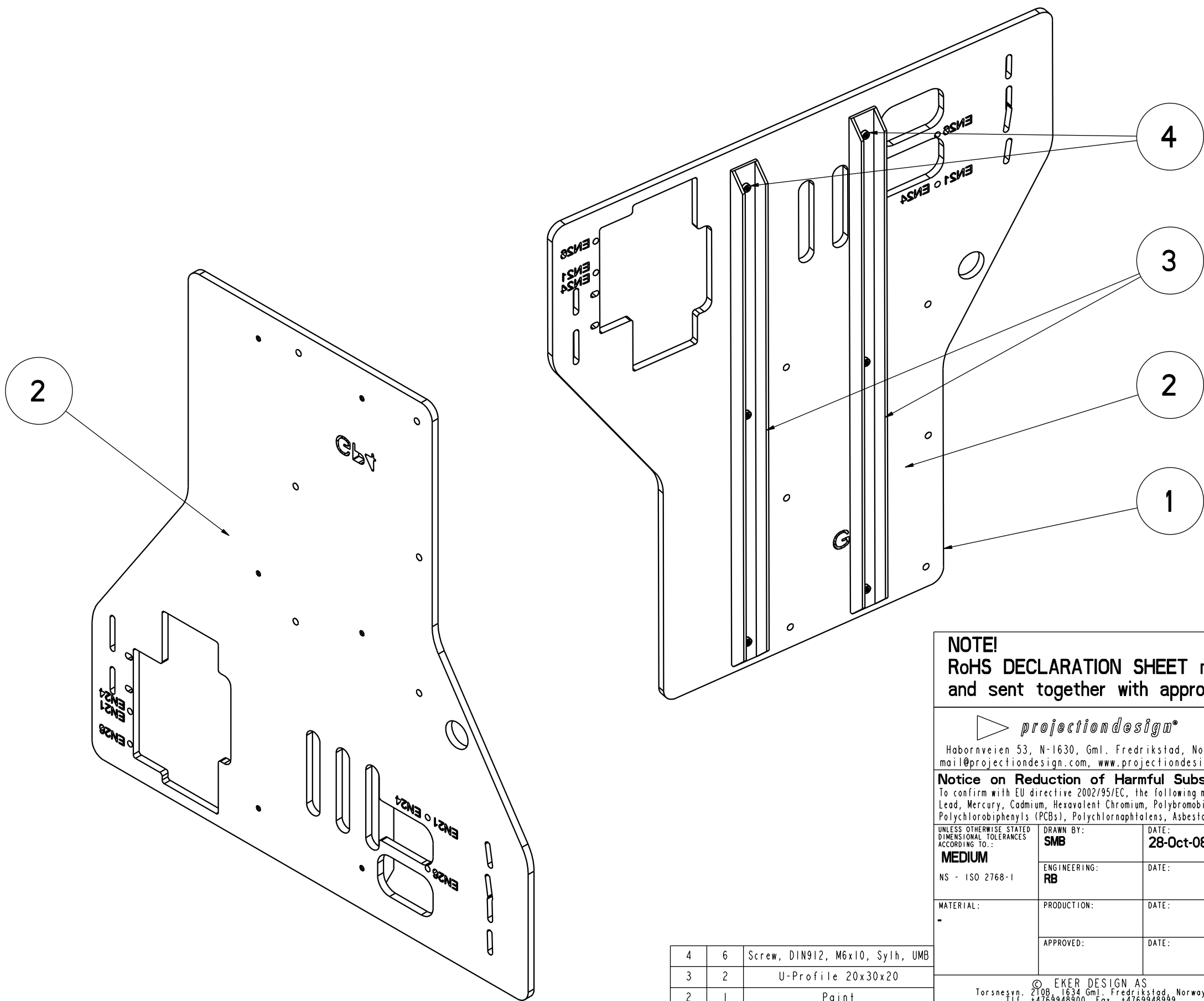


S/A PART.NO.	BRACKET ANAMORPH	COLOR	PAINT
400-0596-01	502-0162-01	Black	"IKEA" Black
400-0597-01	502-0162-01	White	RAL9003 White

REV	AFFECTED GEOM/DWG	DESCRIPTION	CHCK'D	BY	DATE	
A	Y	Y	Released drawing	RB	SMB	28-Oct-08
B	N	Y	Updated drawing	RB	SMB	19-Nov-08
C	Y	Y	Change on part 502-0162-01	RB	SH	22-Jan-09



DET	QTY	DESCRIPTION
4	6	Screw, DIN912, M6x10, Sylh, UMB
3	2	U-Profile 20x30x20
2	1	Paint
1	1	GP4 Bracket Anamorph

NOTE!
RoHS DECLARATION SHEET must always be completed and sent together with approval sample.

projectiondesign®
 Habornveien 53, N-1630, Gml. Fredrikstad, Norway
 mail@projectiondesign.com, www.projectiondesign.com

Notice on Reduction of Harmful Substances (RoHS)
 To confirm with EU directive 2002/95/EC, the following materials and their compounds shall not be used in the product(s) specified herein:
 Lead, Mercury, Cadmium, Hexavalent Chromium, Polybromobiphenyls (PBBs), Polybromodiphenylethers (PBDEs), Tributyltinoxide (TBTO), Polychlorobiphenyls (PCBs), Polychloronaphthalens, Asbestos, Azo pigments and dyes, Ozone depleting substances, Polyvinylchloride (PVC)

UNLESS OTHERWISE STATED
 DIMENSIONAL TOLERANCES
 ACCORDING TO:
MEDIUM
 NS - ISO 2768-1

DRAWN BY:
SMB

ENGINEERING:
RB

DATE:
28-Oct-08

PROJ. EUROPE

MATERIAL:

PRODUCTION:

APPROVED:

CONFIDENTIAL

EKER DESIGN

GP4 S/A Bracket Anamorph

SIZE: **A3** PART NO: **400-0xxx-xx** DWG. NO: **318-401-52-C**

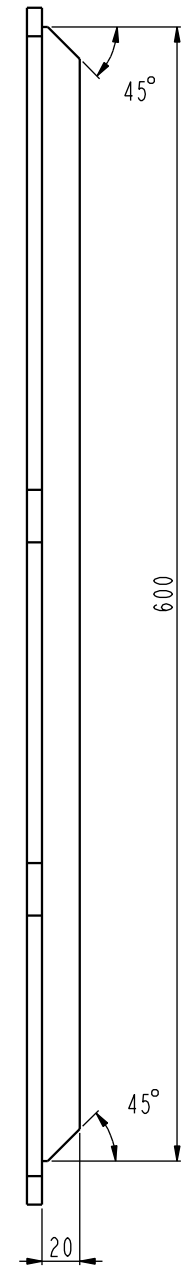
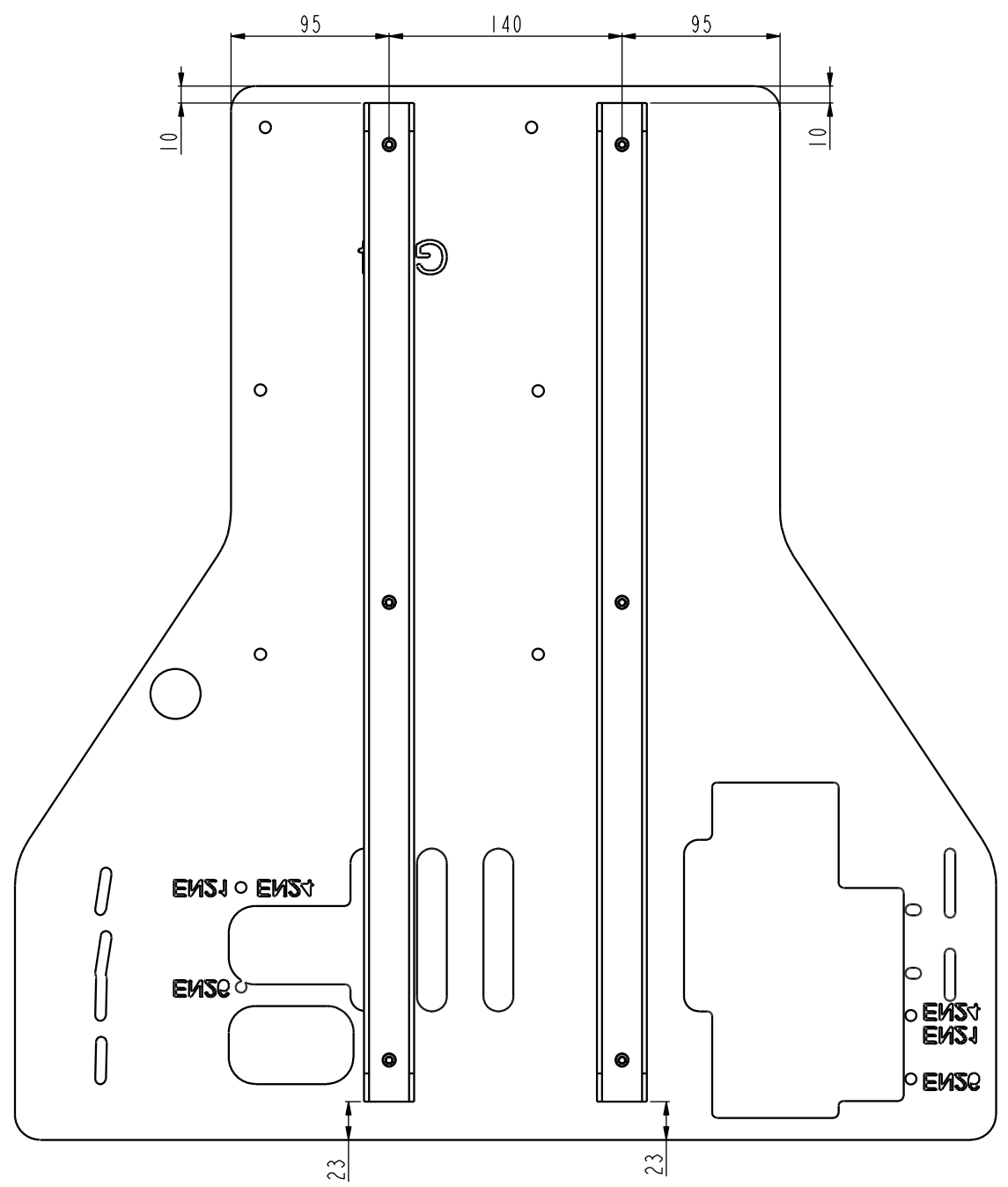
SCALE: **1:4** SHEET: **1 / 2**

© EKER DESIGN AS
 Torsnesvng. 2108, 1634 Gml. Fredrikstad, Norway
 Tlf. +4769948900, Fax. +4769948999

All rights reserved. Reproduction in whole or in part is prohibited without the written consent of the copyright owner

S/A PART.NO.	BRACKET ANAMORPH	COLOR	PAINT
400-0596-01	502-0162-01	Black	"IKEA" Black
400-0597-01	502-0162-01	White	RAL9003 White

REV	AFFECTED GEOM/DWG	DESCRIPTION	CHCK'D	BY	DATE
A	Y Y	Released drawing	RB	SMB	28-Oct-08
B	N Y	Updated drawing	RB	SMB	19-Nov-08
C	Y Y	Change on part 502-0162-01	RB	SH	22-Jan-09



DET	QTY	DESCRIPTION
4	6	Screw, DIN912, M6x10, Sylh, UMB
3	2	U-Profile 20x30x20
2	1	Paint
1	1	GP4 Bracket Anamorph

NOTE!
RoHS DECLARATION SHEET must always be completed and sent together with approval sample.

projectiondesign®
 Habornveien 53, N-1630, Gml. Fredrikstad, Norway
 mail@projectiondesign.com, www.projectiondesign.com

CONFIDENTIAL

Notice on Reduction of Harmful Substances (RoHS)
 To confirm with EU directive 2002/95/EC, the following materials and their compounds shall not be used in the product(s) specified herein:
 Lead, Mercury, Cadmium, Hexavalent Chromium, Polybromobiphenyls (PBBs), Polybromodiphenylethers (PBDEs), Tributyltinoxide (TBTO), Polychlorobiphenyls (PCBs), Polychloronaphthalens, Asbestos, Azo pigments and dyes, Ozone depleting substances, Polyvinylchloride (PVC)

UNLESS OTHERWISE STATED DIMENSIONAL TOLERANCES ACCORDING TO: MEDIUM NS - ISO 2768-1	DRAWN BY: SMB	DATE: 18-Nov-08	PROJ. EUROPE
	ENGINEERING: RB	DATE:	
MATERIAL: -	PRODUCTION:	DATE:	PART NAME GP4 S/A Bracket Anamorph
	APPROVED:	DATE:	

© EKER DESIGN AS Torsnesvgn. 210B, 1634 Gml. Fredrikstad, Norway Tlf. +4769948900, Fax. +4769948999	SIZE: A3	PART NO: 400-0xxx-xx	DWG. NO: 318-401-52-C
All rights reserved. Reproduction in whole or in part is prohibited without the written consent of the copyright owner	SCALE: 1:4	SHEET: 2 / 2	