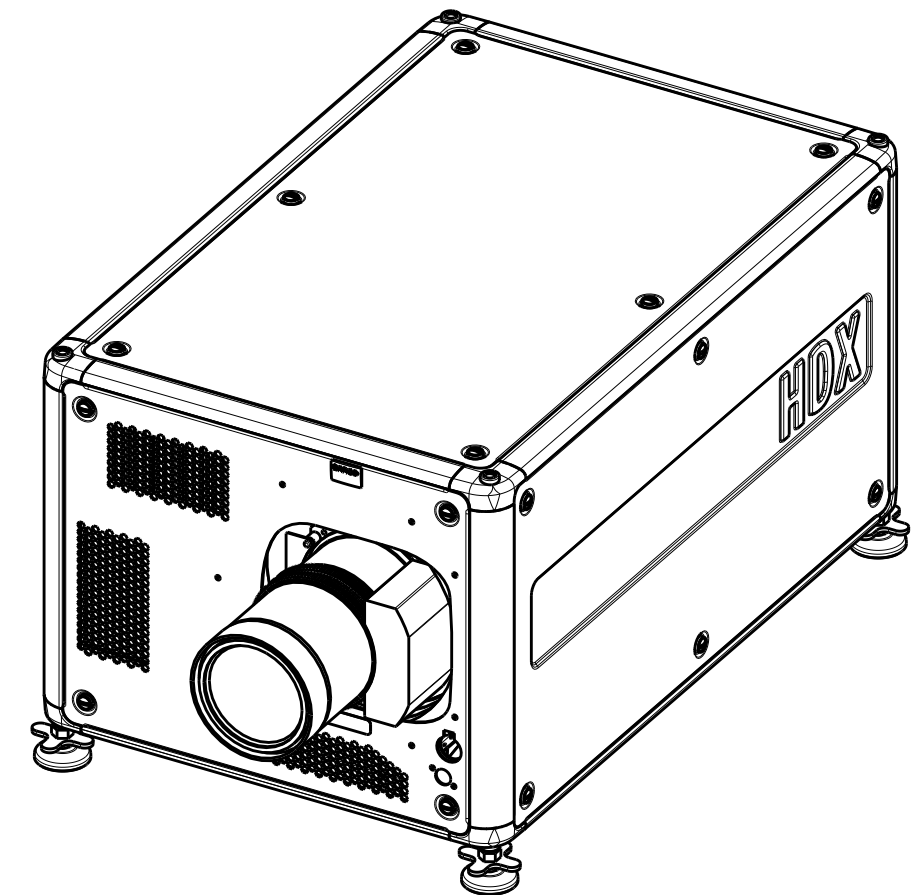
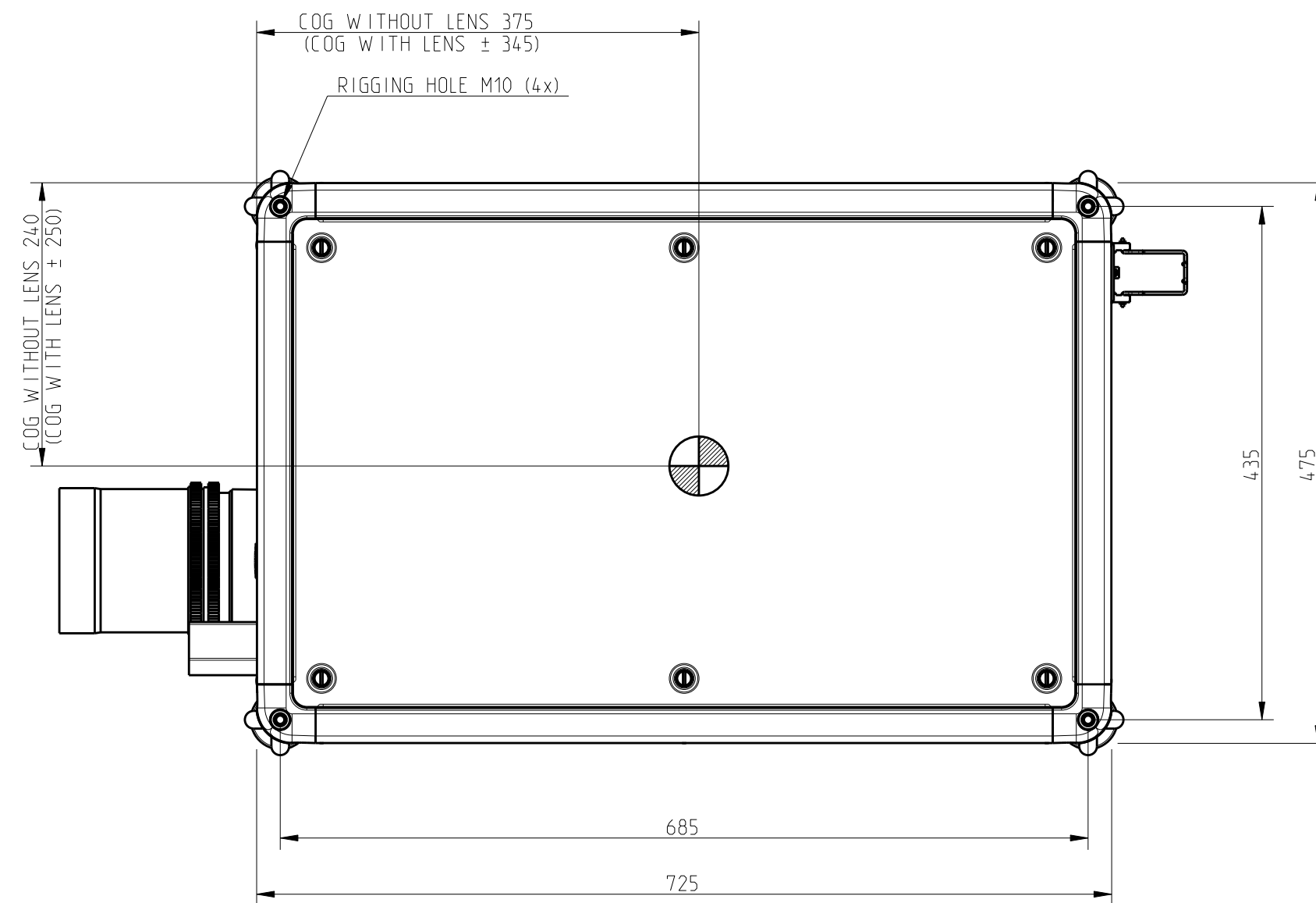
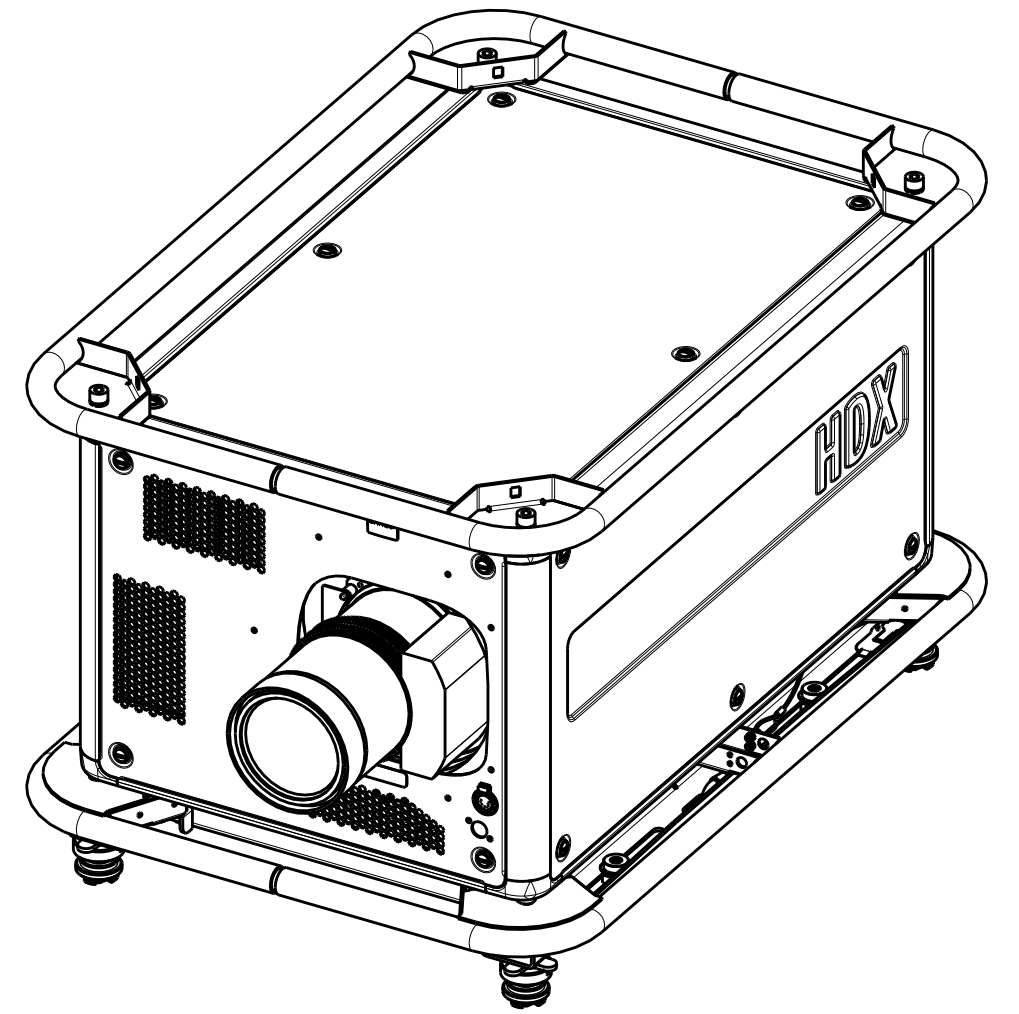
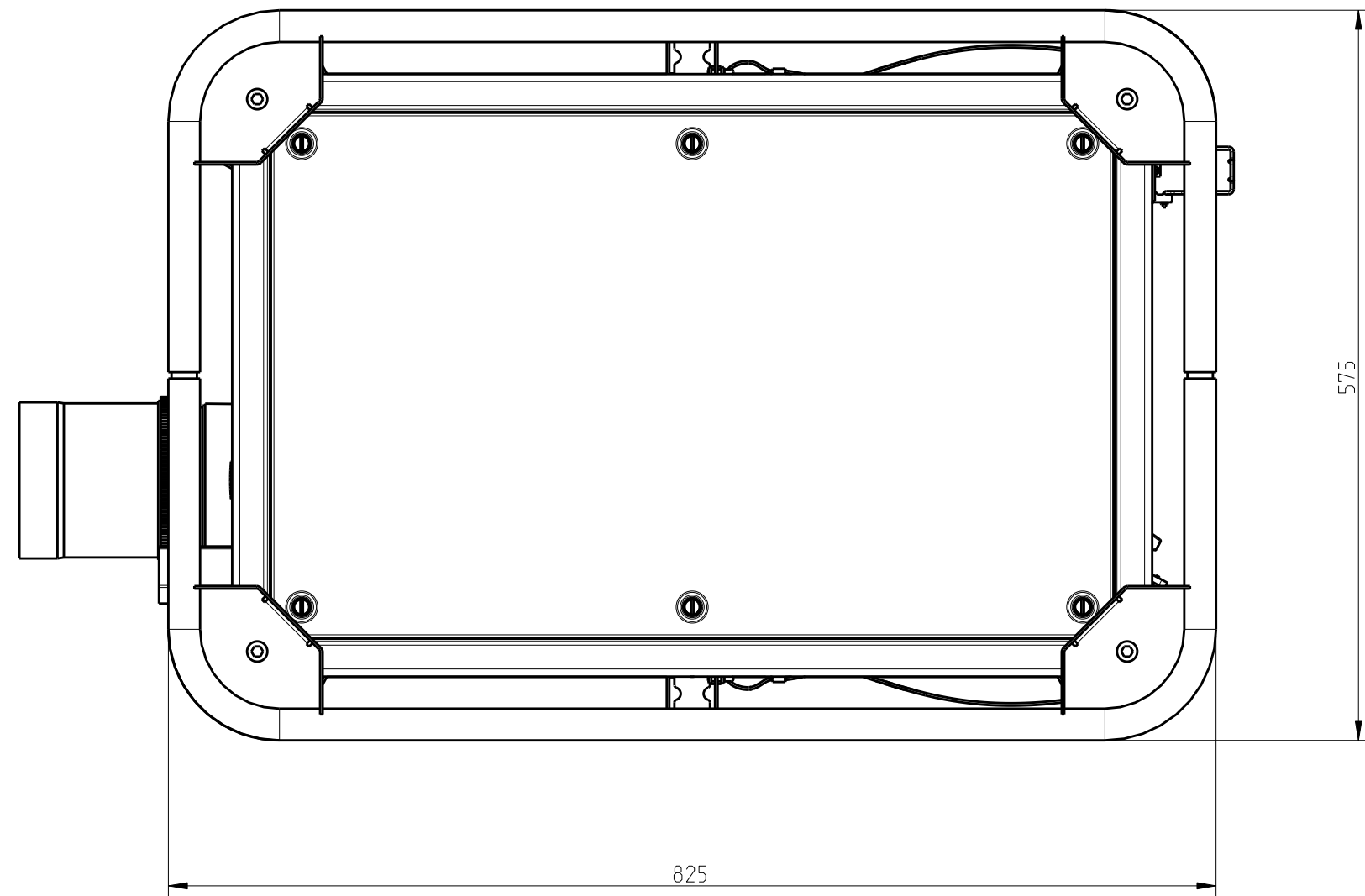
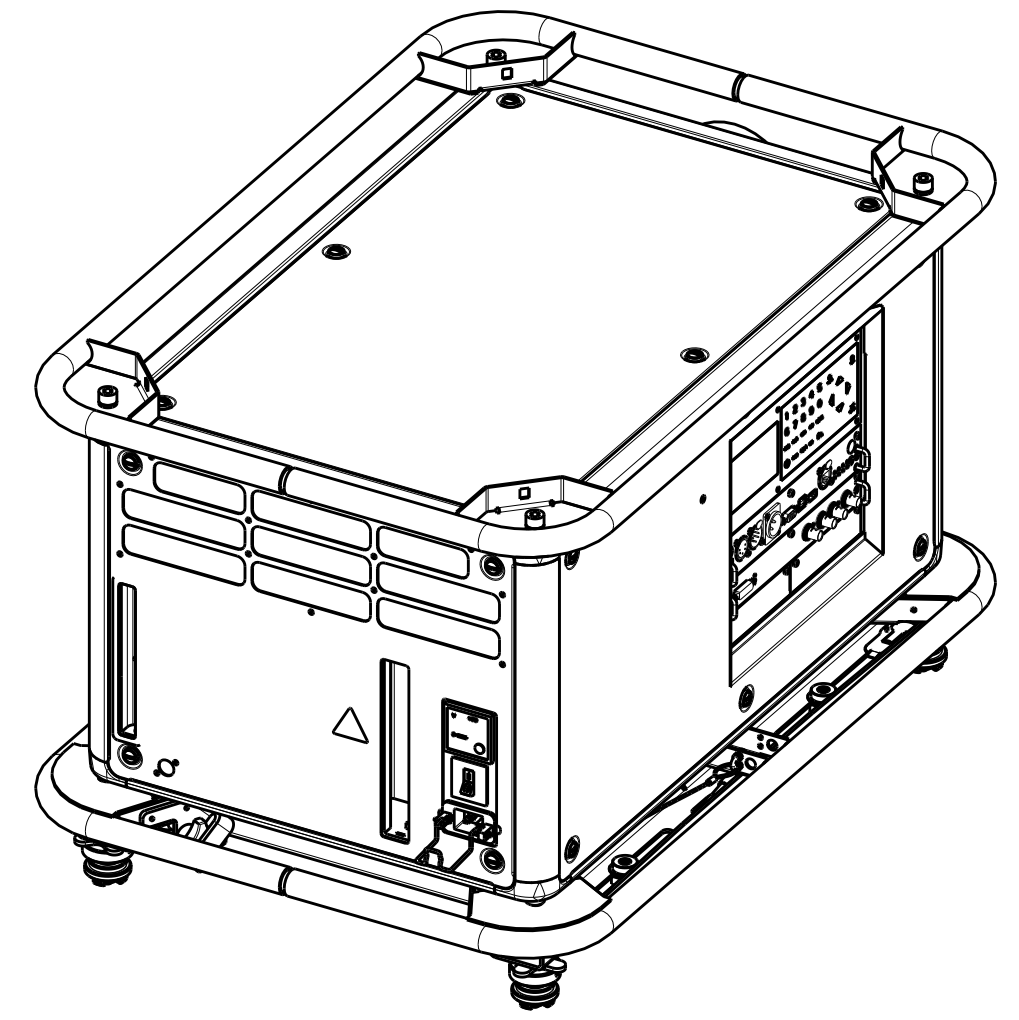
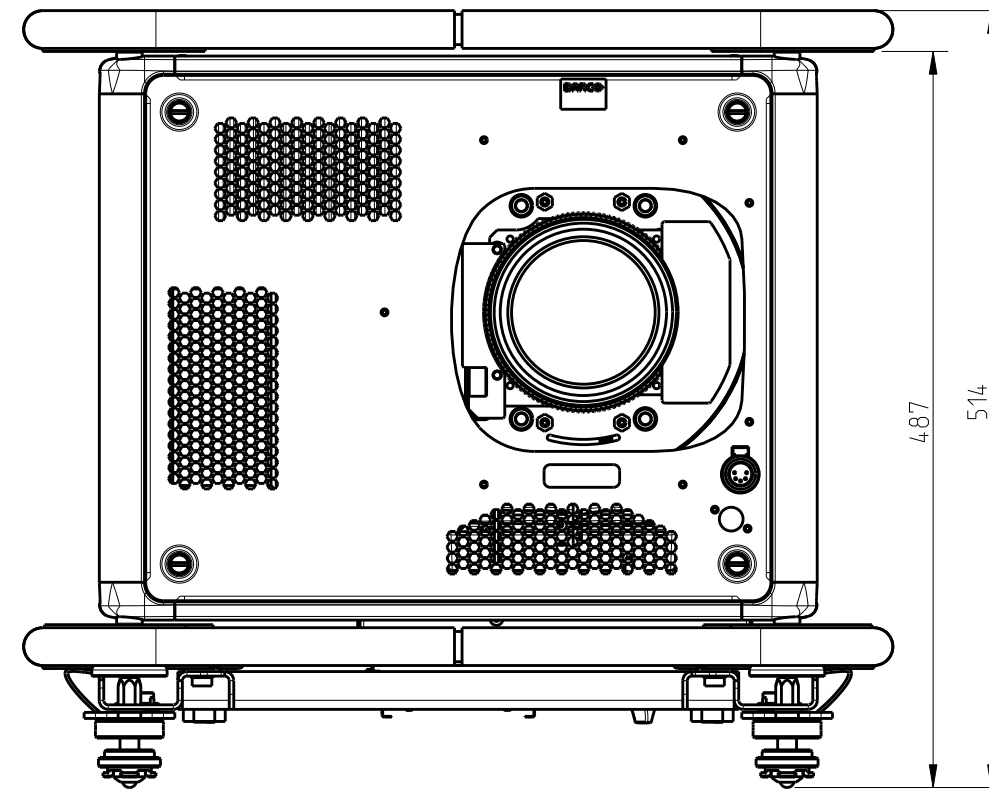
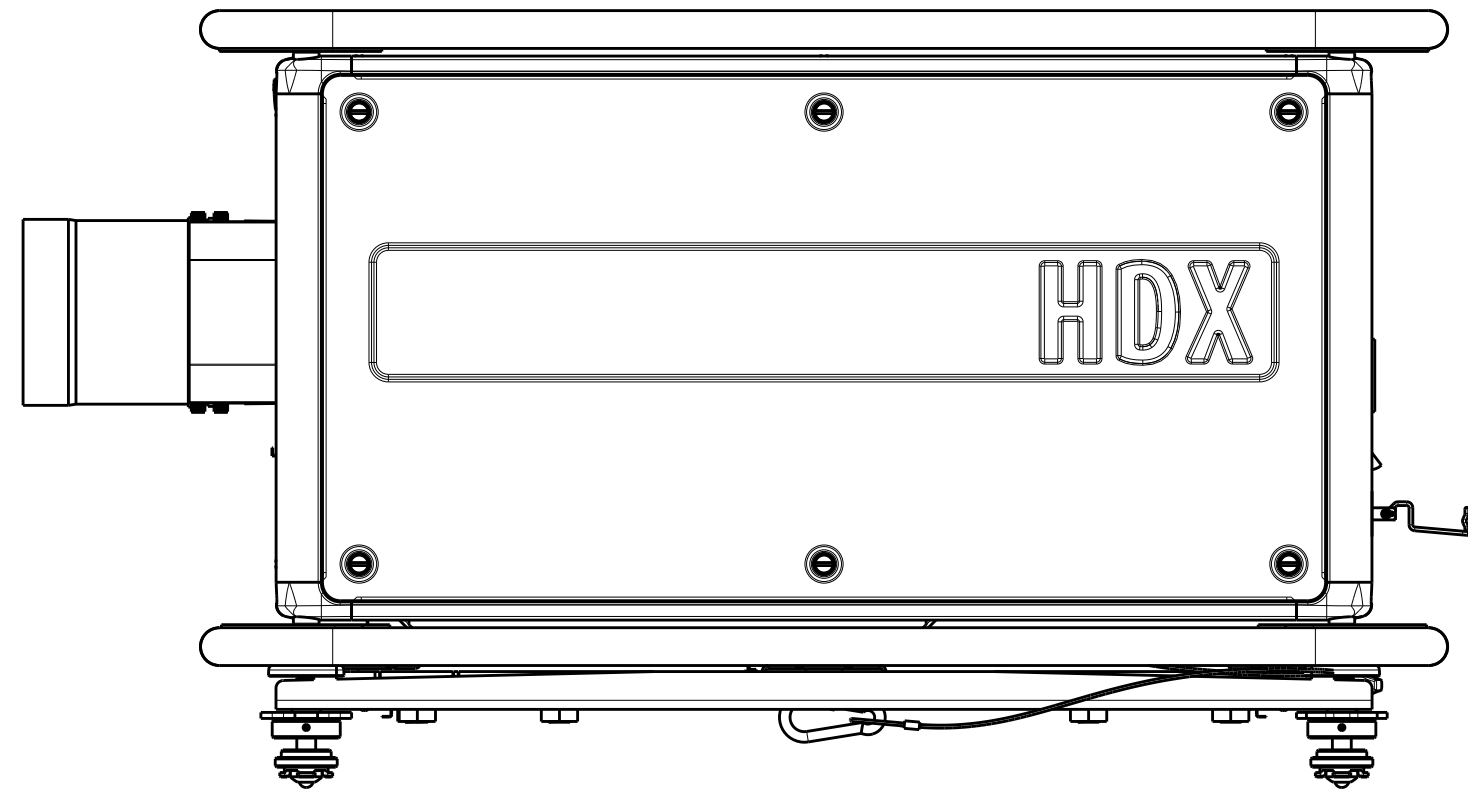


MASS (WITHOUT LENS) 49,8kg



INDEX	ECN	MODIFICATION DESCRIPTION	DATE	NAME
		TREATMENT AND FINISH		
		MATERIAL		
		PROJ. EURO	SCALE	1/1
		GENERAL QUALITY CLASS	C : - - - -	APPROVED
		EXCEPTIONAL QUALITY CLASS	: - - - -	
		BARCO QUALITY STANDARD QAM 001	PHOTOGRAPHIC FILM ADDED	NO
		***** = FUNCTIONAL DIMENSIONS TO CHECK	PART IN ACC. W. DIGITAL FILE	YES
		all important dimensions are mentioned on the drawing with the appropriate tolerance	CADDIR	pro/engineer
		PART NAME	HDX W 16	
		PROJECT	HDX W 16	
		CIPM DESCRIPTION	OVERALL DIMENSIONS	
		BARCO	ALL RIGHTS STRICTLY RESERVED. REPRODUCTION OR ISSUE TO THIRD PARTIES IN ANY FORM WHATSOEVER, IS NOT PERMITTED WITHOUT WRITTEN AUTHORITY FROM BARCO.	R9012000
		BARCO PROJECTION SYSTEMS		11
			SHEET 1 OF 2	A2



INDEX	ECN	MODIFICATION DESCRIPTION	DATE	NAME
		TREATMENT AND FINISH		
		MATERIAL		
		N/A	DRAWN	17/01/11
		PROJ. EURO	CHECKED	
		MM	APPROVED	
		SCALE	1/1	
		PHOTOGRAPHIC FILM ADDED	NO	CADDIR
		PART IN ACC. W. DIGITAL FILE	YES	UNFOLDED PART AVAILABLE
		NO		NO
		***** = FUNCTIONAL DIMENSIONS TO CHECK		
		PART NAME	HDX W 16	
		PROJECT	HDX W 16	
		CIPM DESCRIPTION	OVERALL DIMENSIONS	
		<b>BARCO</b>		
		BARCO PROJECTION SYSTEMS		
		ALL RIGHTS STRICTLY RESERVED. REPRODUCTION OR ISSUE TO THIRD PARTIES IN ANY FORM WHATSOEVER IS NOT PERMITTED WITHOUT WRITTEN AUTHORITY FROM BARCO.		
			R9012000	11
			SHEET 2 OF 2	A2